

TS-QXP27A4-10D

40Gb/s QSFP+ LR4 Transceiver

PRODUCT FEATURES

- 4 CWDM lanes Mux/Demux design
- Up to 11.1Gbps Data rate per wavelength
- Up to 10km transmission on SMF
- Electrically hot-pluggable
- Digital Diagnostics Monitoring Interface
- Compliant with QSFP+ MSA with LC connector
- Case operating temperature range:0°C to 70°C
- Power dissipation < 3.5 W



APPLICATIONS

- 40G Ethernet
- Data Center and LAN

STANDARD

- Compliant to IEEE 802.3ba
- Compliant to SFF-8436
- RoHS Compliant.

General Description

TRANSCOM QSFP+ LR4 is designed to operate over single-mode fiber system using 4X10 CWDM channel in 1310 band and links up to 10km. The module converts 4 inputs channel of 10Gb/s electrical data to 4 CWDM optical signals, and multiplexes them into a single channel for 40Gb/s optical transmission. Reversely, on the receiver side, the module optically de-multiplexes a 40Gb/s input into 4 CWDM channels signals, and converts them to 4 channel output electrical data.

The central wavelengths of the 4 CWDM channels are 1271, 1291, 1311 and 1331 nm. It contains a duplex LC connector for the optical interface and a 38-pin connector for the electrical interface. Single-mode fiber (SMF) is applied in this module. This product converts the 4-channel 10Gb/s electrical input data into CWDM optical signals (light), by a 4-wavelength Distributed Feedback Laser (DFB) array. The 4 wavelengths are multiplexed into a single 40Gb/s data, propagating out of the transmitter module via the SMF. The receiver module accepts the 40Gb/s optical signals input, and de-multiplexes it into 4 CWDM 10Gb/s channels. Each wavelength light is collected by a discrete photo diode, and then outputted as electric data after amplified by a TIA.

The product is designed with form factor, optical/electrical connection and digital diagnostic interface according to the QSFP+ Multi-Source Agreement (MSA) and compliant to 40G QSFP+ LR4 of

IEEE 802.3ba.

I Absolute Maximum Ratings

| Parameter | Symbol | Min. | Typ. | Max. | Unit | Note |
|----------------------|--------|---------|------|---------|------|------|
| Storage Temperature | Ts | -40 | - | 85 | °C | |
| Relative Humidity | RH | 5 | - | 95 | % | |
| Power Supply Voltage | VCC | -0.3 | - | 4 | V | |
| Signal Input Voltage | | Vcc-0.3 | - | Vcc+0.3 | V | |

II Recommended Operating Conditions

| Parameter | Symbol | Min. | Typ. | Max. | Unit | Note |
|-----------|--------|------|------|------|------|------|
|-----------|--------|------|------|------|------|------|

| | | | | | | |
|----------------------------|-------------------|------|---------|------|------|------------------|
| Case Operating Temperature | Tcase | 0 | - | 70 | °C | Without air flow |
| Power Supply Voltage | VCC | 3.13 | 3.3 | 3.47 | V | |
| Power Supply Current | ICC | - | | 900 | mA | |
| Data Rate | BR | | 10.3125 | | Gbps | Each channel |
| Transmission Distance | TD | | - | 10 | km | |
| Coupled fiber | Single mode fiber | | | | | 9/125um SMF |

III Optical Characteristics

| Parameter | Symbol | Min | Typ | Max | Unit | NOTE |
|------------------------------------|-----------------------------|--------|------|--------|-------|------|
| Transmitter | | | | | | |
| Wavelength Assignment | $\lambda 0$ | 1264.5 | 1271 | 1277.5 | nm | |
| | $\lambda 1$ | 1284.5 | 1291 | 1297.5 | nm | |
| | $\lambda 2$ | 1304.5 | 1311 | 1317.5 | nm | |
| | $\lambda 3$ | 1324.5 | 1331 | 1337.5 | nm | |
| Total Output. Power | POUT | | | 8.3 | dBm | |
| Average Launch Power Per lane | | -7 | | 2.3 | dBm | |
| Spectral Width (-20dB) | σ | | | 1 | nm | |
| SMSR | | 30 | | | dB | |
| Optical Extinction Ratio | ER | 3.5 | | | dB | |
| Average launch Power off per lane | Poff | | | -30 | dBm | |
| Transmitter and Dispersion Penalty | TDP | | | 2.3 | dB | |
| RIN | RIN | | | -128 | dB/Hz | |
| Output Eye Mask | Compliant with IEEE 802.3ba | | | | | |
| Receiver | | | | | | |
| Rx Sensitivity per lane (OMA) | RSENS | | | -11.5 | dBm | 1 |
| Input Saturation Power (Overload) | Psat | 3.3 | | | dBm | |
| Receiver Reflectance | Rr | | | -26 | dB | |

Notes:

1. Measured with a PRBS $2^{31}-1$ test pattern, @10.325Gb/s, BER< 10^{-12} .

IV. Electrical Characteristics

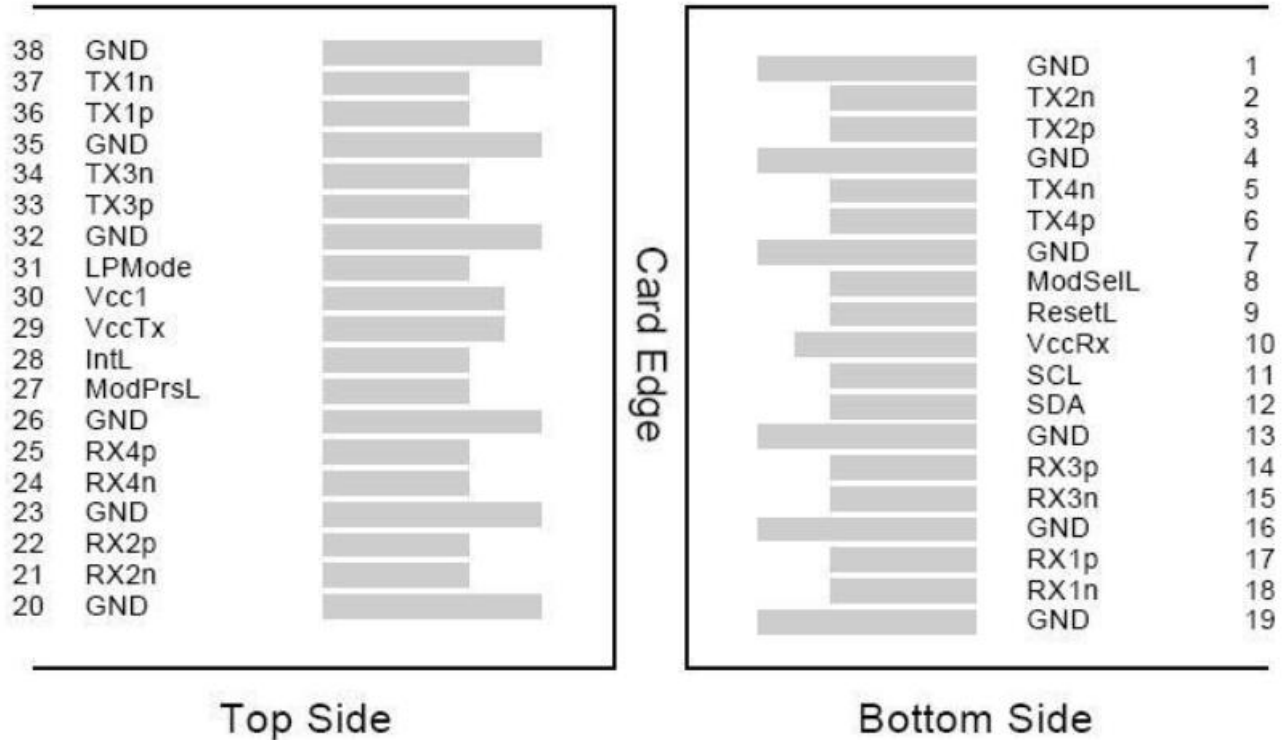
| Parameter | Symbol | Min | Typ | Max | Unit | NOTE |
|--------------------------------|------------|---------|-----|----------|----------|------|
| Supply Voltage | Vcc | 3.13 | 3.3 | 3.47 | V | |
| Supply Current | Icc | | | 900 | mA | |
| Transmitter | | | | | | |
| Input differential impedance | Rin | | 100 | | Ω | 1 |
| Differential data input swing | Vin,pp | 180 | | 1000 | mV | |
| Transmit Disable Voltage | VD | Vcc-1.3 | | Vcc | V | |
| Transmit Enable Voltage | VEN | Vee | | Vee+ 0.8 | V | 2 |
| Transmit Disable Assert Time | | | | 10 | us | |
| Receiver | | | | | | |
| Differential data output swing | Vout,pp | 300 | | 850 | mV | 3 |
| Data output rise time | tr | 28 | | | ps | 4 |
| Data output fall time | tf | 28 | | | ps | 4 |
| LOS Fault | VLOS fault | Vcc-1.3 | | VccHOST | V | 5 |
| LOS Normal | VLOS norm | Vee | | Vee+0.8 | V | 5 |
| Power Supply Rejection | PSR | 100 | | | mVpp | 6 |

Notes:

1. Connected directly to TX data input pins. AC coupled thereafter.
2. Or open circuit.
3. Into 100 ohms differential termination.
4. 20 – 80 %.
5. Loss Of Signal is LVTTTL. Logic 0 indicates normal operation; logic 1 indicates no signal detected.
6. Receiver sensitivity is compliant with power supply sinusoidal modulation of 20 Hz to 1.5 MHz up to specified value applied through the recommended power supply filtering network.

V. Pin Assignment

Figure 1---Pin out of Connector Block on Host Board



| Pin | Symbol | Name/Description | NOTE |
|-----|---------|--|------|
| 1 | GND | Transmitter Ground (Common with Receiver Ground) | 1 |
| 2 | Tx2n | Transmitter Inverted Data Input | |
| 3 | Tx2p | Transmitter Non-Inverted Data output | |
| 4 | GND | Transmitter Ground (Common with Receiver Ground) | 1 |
| 5 | Tx4n | Transmitter Inverted Data Input | |
| 6 | Tx4p | Transmitter Non-Inverted Data output | |
| 7 | GND | Transmitter Ground (Common with Receiver Ground) | 1 |
| 8 | ModSelL | Module Select | |
| 9 | ResetL | Module Reset | |
| 10 | VccRx | 3.3V Power Supply Receiver | 2 |
| 11 | SCL | 2-Wire serial Interface Clock | |
| 12 | SDA | 2-Wire serial Interface Data | |
| 13 | GND | Transmitter Ground (Common with Receiver Ground) | |
| 14 | Rx3p | Receiver Non-Inverted Data Output | |
| 15 | Rx3n | Receiver Inverted Data Output | |
| 16 | GND | Transmitter Ground (Common with Receiver Ground) | 1 |
| 17 | Rx1p | Receiver Non-Inverted Data Output | |
| 18 | Rx1n | Receiver Inverted Data Output | |
| 19 | GND | Transmitter Ground (Common with Receiver Ground) | 1 |
| 20 | GND | Transmitter Ground (Common with Receiver Ground) | 1 |
| 21 | Rx2n | Receiver Inverted Data Output | |
| 22 | Rx2p | Receiver Non-Inverted Data Output | |
| 23 | GND | Transmitter Ground (Common with Receiver Ground) | 1 |
| 24 | Rx4n | Receiver Inverted Data Output | 1 |
| 25 | Rx4p | Receiver Non-Inverted Data Output | |
| 26 | GND | Transmitter Ground (Common with Receiver Ground) | 1 |

| | | | |
|----|---------|--|---|
| 27 | ModPrsl | Module Present | |
| 28 | IntL | Interrupt | |
| 29 | VccTx | 3.3V power supply transmitter | 2 |
| 30 | Vcc1 | 3.3V power supply | 2 |
| 31 | LPMode | Low Power Mode | |
| 32 | GND | Transmitter Ground (Common with Receiver Ground) | 1 |
| 33 | Tx3p | Transmitter Non-Inverted Data Input | |
| 34 | Tx3n | Transmitter Inverted Data Output | |
| 35 | GND | Transmitter Ground (Common with Receiver Ground) | 1 |
| 36 | Tx1p | Transmitter Non-Inverted Data Input | |
| 37 | Tx1n | Transmitter Inverted Data Output | |
| 38 | GND | Transmitter Ground (Common with Receiver Ground) | 1 |

Notes:

1. GND is the symbol for signal and supply (power) common for QSFP+ modules. All are common within the QSFP+ module and all module voltages are referenced to this potential unless otherwise noted. Connect these directly to the host board signal common ground plane.

2. VccRx, Vcc1 and VccTx are the receiving and transmission power suppliers and shall be applied concurrently. Recommended host board power supply filtering is shown below. Vcc Rx, Vcc1 and Vcc Tx may be internally connected within the QSFP+ transceiver module in any combination. The connector pins are each rated for a maximum current of 500mA.

VI. Digital Diagnostic Functions

TS-QXP27A4-10D support the 2-wire serial communication protocol as defined in the QSFP+ MSA. which allows real-time access to the following operating parameters:

- Transceiver temperature
- Laser bias current
- Transmitted optical power
- Received optical power
- Transceiver supply voltage

It also provides a sophisticated system of alarm and warning flags, which may be used to alert end-users when particular operating parameters are outside of a factory-set normal range.

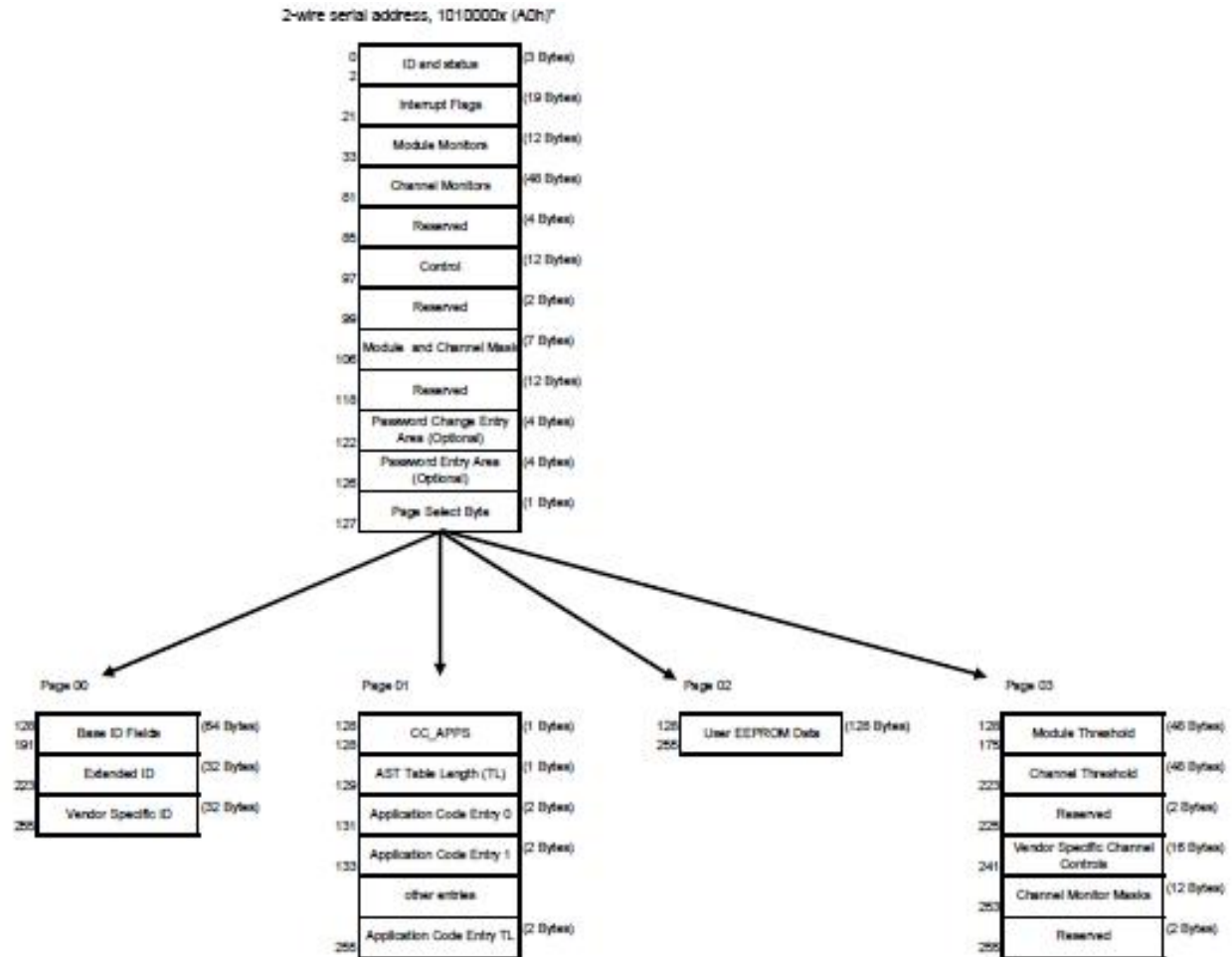
The operating and diagnostics information is monitored and reported by a Digital Diagnostics Transceiver Controller inside the transceiver, which is accessed through the 2-wire serial interface. When the serial protocol is activated, the serial clock signal (SCL pin) is generated by the host. The positive edge clocks data into the QSFP+ transceiver into those segments of its memory map that are not

write-protected. The negative edge clocks data from the QSFP+ transceiver. The serial data signal (SDA pin) is bi-directional for serial data transfer. The host uses SDA in conjunction with SCL to mark the start and end of serial protocol activation. The memories are organized as a series of 8-bit data words that can be addressed individually or sequentially. The 2-wire serial interface provides sequential or random access to the 8 bit parameters, addressed from 00h to the maximum address of the memory.

This clause defines the Memory Map for QSFP+ transceiver used for serial ID, digital monitoring and certain control functions. The interface is mandatory for all QSFP+ devices. The memory map has been changed in order to accommodate 4 optical channels and limit the required memory space. The structure of the memory is shown in Figure 2 -QSFP+ Memory Map. The memory space is arranged into a lower, single page, address space of 128 bytes and multiple upper address space pages. This structure permits timely access to addresses in the lower page, e.g. Interrupt Flags and Monitors. Less time critical entries, e.g. serial ID information and threshold settings, are available with the Page Select function. The structure also provides address expansion by adding additional upper pages as needed. For example, in Figure 2 upper pages 01 and 02 are optional. Upper page 01 allows implementation of Application Select Table, and upper page 02 provides user read/write space. The lower page and upper pages 00 and 03 are always implemented. The interface address used is A0xh and is mainly used for time critical data like interrupt handling in order to enable a “one-time-read” for all data related to an interrupt situation. After an Interrupt, IntL, has been asserted, the host can read out the flag field to determine the effected channel and type of flag.

For more detailed information including memory map definitions, please see the QSFP+ MSA Specification.

Figure 2 –QSFP+ Memory Map



Lower Memory Map

The lower 128 bytes of the 2-wire serial bus address space, see Table 1, is used to access a variety of measurements and diagnostic functions, a set of control functions, and a means to select which of the various upper memory map pages are accessed on subsequent reads. This portion of the address space is always directly addressable and thus is chosen for monitoring and control functions that may need to be repeatedly accessed. The definition of identifier field is the same as page 00h Byte 128.

Table 1— Lower Memory Map

| Byte Address | Description | Type |
|--------------|---------------------|-----------|
| 0 | Identifier (1 Byte) | Read-Only |
| 1-2 | Status (2 Bytes) | Read-Only |

| | | |
|---------|---|------------|
| 3-21 | Interrupt Flags (19 Bytes) | Read-Only |
| 22-33 | Module Monitors (12 Bytes) | Read-Only |
| 34-81 | Channel Monitors (48 Bytes) | Read-Only |
| 82-85 | Reserved (4 Bytes) | Read-Only |
| 86-97 | Control (12 Bytes) | Read/Write |
| 98-99 | Reserved (2 Bytes) | Read/Write |
| 100-106 | Module and Channel Masks (7 Bytes) | Read/Write |
| 107-118 | Reserved (12 Bytes) | Read/Write |
| 119-122 | Password Change Entry Area (optional) (4 Bytes) | Read/Write |
| 123-126 | Password Entry Area (optional) (4 Bytes) | Read/Write |
| 127 | Page Select Byte | Read/Write |

Status Indicator Bits

The Status Indicators are defined in Table 2.

Table 2 — Status Indicators

| Byte | Bit | Name | Description |
|------|-----|----------------|---|
| 1 | All | Reserved | |
| 2 | 7 | Reserved | |
| | 6 | Reserved | |
| | 5 | Reserved | |
| | 4 | Reserved | |
| | 3 | Reserved | |
| | 2 | Reserved | |
| | 1 | IntL | Digital state of the IntL interrupt output pin. |
| | 0 | Data_Not_Ready | Indicates transceiver has not yet achieved power up and monitor data is not ready. Bit remains high until data is ready to be read at which time the device sets the bit low. |

Interrupt Flags

A portion of the memory map (Bytes 3 through 21), form a flag field. Within this field, the status of LOS and Tx Fault as well as alarms and warnings for the various monitored items is reported. For normal operation and default state, the bits in this field have the value of 0b. For the defined conditions of LOS, Tx Fault, module and channel alarms and warnings, the appropriate bit or bits are set, value = 1b. Once asserted, the bits remained set (latched) until cleared by a read operation that includes the affected bit or reset by the ResetL pin. The Channel Status Interrupt Flags are defined in Table 3.

Table 3 — Channel Status Interrupt Flags

| Byte | Bit | Name | Description |
|------|-----|-----------|---|
| 3 | 7 | L-Tx4 LOS | Latched TX LOS indicator, channel 4 (Not support) |
| | 6 | L-Tx3 LOS | Latched TX LOS indicator, channel 3 (Not support) |
| | 5 | L-Tx2 LOS | Latched TX LOS indicator, channel 2 (Not support) |
| | 4 | L-Tx1 LOS | Latched TX LOS indicator, channel 1 (Not support) |
| | 3 | L-Rx4 LOS | Latched RX LOS indicator, channel 4 |
| | 2 | L-Rx3 LOS | Latched RX LOS indicator, channel 3 |
| | 1 | L-Rx2 LOS | Latched RX LOS indicator, channel 2 |

| | | | |
|---|-----|-------------|---------------------------------------|
| | 0 | L-Rx1 LOS | Latched RX LOS indicator, channel 1 |
| 4 | 7-4 | Reserved | |
| | 3 | L-Tx4 Fault | Latched TX fault indicator, channel 4 |
| | 2 | L-Tx3 Fault | Latched TX fault indicator, channel 3 |
| | 1 | L-Tx2 Fault | Latched TX fault indicator, channel 2 |
| | 0 | L-Tx1 Fault | Latched TX fault indicator, channel 1 |
| 5 | All | Reserved | |

The Module Monitor Interrupt Flags are defined in Table 4.

Table 4 — Module Monitor Interrupt Flags

| Byte | Bit | Name | Description |
|------|-----|---------------------|-------------------------------------|
| 6 | 7 | L-Temp High Alarm | Latched high temperature alarm |
| | 6 | L-Temp Low Alarm | Latched low temperature alarm |
| | 5 | L-Temp High Warning | Latched high temperature warning |
| | 4 | L-Temp Low Warning | Latched low temperature warning |
| | 3-0 | Reserved | |
| 7 | 7 | L-Vcc High Alarm | Latched high supply voltage alarm |
| | 6 | L-Vcc Low Alarm | Latched low supply voltage alarm |
| | 5 | L-Vcc High Warning | Latched high supply voltage warning |
| | 4 | L-Vcc Low Warning | Latched low supply voltage warning |
| | 3-0 | Reserved | |
| 8 | All | Reserved | |

The Channel Monitor Interrupt Flags are defined in Table 5

Table 5 — Channel Monitor Interrupt Flags

| Byte | Bit | Name | Description |
|------|-----|--------------------------|--|
| 9 | 7 | L-Rx1 Power High Alarm | Latched high RX power alarm, channel 1 |
| | 6 | L-Rx1 Power Low Alarm | Latched low RX power alarm, channel 1 |
| | 5 | L-Rx1 Power High Warning | Latched high RX power warning, channel 1 |
| | 4 | L-Rx1 Power Low Warning | Latched low RX power warning, channel 1 |
| | 3 | L-Rx2 Power High Alarm | Latched high RX power alarm, channel 2 |
| | 2 | L-Rx2 Power Low Alarm | Latched low RX power alarm, channel 2 |
| | 1 | L-Rx2 Power High Warning | Latched high RX power warning, channel 2 |
| | 0 | L-Rx2 Power Low Warning | Latched low RX power warning, channel 2 |
| 10 | 7 | L-Rx3 Power High Alarm | Latched high RX power alarm, channel 3 |
| | 6 | L-Rx3 Power Low Alarm | Latched low RX power alarm, channel 3 |
| | 5 | L-Rx3 Power High Warning | Latched high RX power warning, channel 3 |
| | 4 | L-Rx3 Power Low Warning | Latched low RX power warning, channel 3 |
| | 3 | L-Rx4 Power High Alarm | Latched high RX power alarm, channel 4 |
| | 2 | L-Rx4 Power Low Alarm | Latched low RX power alarm, channel 4 |
| | 1 | L-Rx4 Power High Warning | Latched high RX power warning, channel 4 |
| | 0 | L-Rx4 Power Low Warning | Latched low RX power warning, channel 4 |
| 11 | 7 | L-Tx1 Bias High Alarm | Latched high TX bias alarm, channel 1 |
| | 6 | L-Tx1 Bias Low Alarm | Latched low TX bias alarm, channel 1 |

| | | | |
|-------|-----|---------------------------|--|
| | 5 | L-Tx1 Bias High Warning | Latched high TX bias warning, channel 1 |
| | 4 | L-Tx1 Bias Low Warning | Latched low TX bias warning, channel 1 |
| | 3 | L-Tx2 Bias High Alarm | Latched high TX bias alarm, channel 2 |
| | 2 | L-Tx2 Bias Low Alarm | Latched low TX bias alarm, channel 2 |
| | 1 | L-Tx2 Bias High Warning | Latched high TX bias warning, channel 2 |
| | 0 | L-Tx2 Bias Low Warning | Latched low TX bias warning, channel 2 |
| 12 | 7 | L-Tx3 Bias High Alarm | Latched high TX bias alarm, channel 3 |
| | 6 | L-Tx3 Bias Low Alarm | Latched low TX bias alarm, channel 3 |
| | 5 | L-Tx3 Bias High Warning | Latched high TX bias warning, channel 3 |
| | 4 | L-Tx3 Bias Low Warning | Latched low TX bias warning, channel 3 |
| | 3 | L-Tx4 Bias High Alarm | Latched high TX bias alarm, channel 4 |
| | 2 | L-Tx4 Bias Low Alarm | Latched low TX bias alarm, channel 4 |
| | 1 | L-Tx4 Bias High Warning | Latched high TX bias warning, channel 4 |
| | 0 | L-Tx4 Bias Low Warning | Latched low TX bias warning, channel 4 |
| 13 | 7 | L-Tx1 Power High Alarm | Latched high TX Power alarm, channel 1 |
| | 6 | L-Tx1 Power Low Alarm | Latched low TX Power alarm, channel 1 |
| | 5 | L-Tx1 Power High Warning | Latched high TX Power warning, channel 1 |
| | 4 | L-Tx1 Power Low Warning | Latched low TX Power warning, channel 1 |
| | 3 | L-Tx2 Power High Alarm | Latched high TX Power alarm, channel 2 |
| | 2 | L-Tx2 Power Low Alarm | Latched low TX Power alarm, channel 2 |
| | 1 | L-Tx2 Power High Warning | Latched high TX Power warning, channel 2 |
| | 0 | L-Tx2 Power Low Warning | Latched low TX Power warning, channel 2 |
| 14 | 7 | L-Tx3 Power High Alarm | Latched high TX Power alarm, channel 3 |
| | 6 | L-Tx3 Power Low Alarm | Latched low TX Power alarm, channel 3 |
| | 5 | L-Tx31 Power High Warning | Latched high TX Power warning, channel 3 |
| | 4 | L-Tx3 Power Low Warning | Latched low TX Power warning, channel 3 |
| | 3 | L-Tx4 Power High Alarm | Latched high TX Power alarm, channel 4 |
| | 2 | L-Tx4 Power Low Alarm | Latched low TX Power alarm, channel 4 |
| | 1 | L-Tx4 Power High Warning | Latched high TX Power warning, channel 4 |
| | 0 | L-Tx4 Power Low Warning | Latched low TX Power warning, channel 4 |
| 15-16 | All | Reserved | Reserved channel monitor flags, set 4 |
| 17-18 | All | Reserved | Reserved channel monitor flags, set 5 |
| 19-20 | All | Reserved | Reserved channel monitor flags, set 6 |
| 21 | All | Reserved | |

Module Monitors

Real time monitoring for the QSFP+ module include transceiver temperature, transceiver supply voltage, and monitoring for each transmit and receive channel. Measured parameters are reported in 16-bit data fields, i.e., two concatenated bytes. These are shown in Table 6.

Table 6 — Module Monitoring Values

| Byte | Bit | Name | Description |
|-------|-----|--------------------|---|
| 22 | All | Temperature MSB | Internally measured module temperature |
| 23 | All | Temperature LSB | |
| 24-25 | All | Reserved | |
| 26 | All | Supply Voltage MSB | Internally measured module supply voltage |
| 27 | All | Supply Voltage LSB | |
| 28-33 | All | Reserved | |

Channel Monitoring

Real time channel monitoring is for each transmit and receive channel and includes optical input power Tx bias current and Tx output Power. Measurements are calibrated over vendor specified operating temperature and voltage and should be interpreted as defined below. Alarm and warning threshold values should be interpreted in the same manner as real time 16-bit data. Table 7 defines the Channel Monitoring.

Table 7 — Channel Monitoring Values

| Byte | Bit | Name | Description |
|-------|-----|---------------|--|
| 34 | All | Rx1 Power MSB | Internally measured RX input power, channel 1 |
| 35 | All | Rx1 Power LSB | |
| 36 | All | Rx2 Power MSB | Internally measured RX input power, channel 2 |
| 37 | All | Rx2 Power LSB | |
| 38 | All | Rx3 Power MSB | Internally measured RX input power, channel 3 |
| 39 | All | Rx3 Power LSB | |
| 40 | All | Rx4 Power MSB | Internally measured RX input power, channel 4 |
| 41 | All | Rx4 Power LSB | |
| 42 | All | Tx1 Bias MSB | Internally measured TX bias, channel 1 |
| 43 | All | Tx1 Bias LSB | |
| 44 | All | Tx2 Bias MSB | Internally measured TX bias, channel 2 |
| 45 | All | Tx2 Bias LSB | |
| 46 | All | Tx3 Bias MSB | Internally measured TX bias, channel 3 |
| 47 | All | Tx3 Bias LSB | |
| 48 | All | Tx4 Bias MSB | Internally measured TX bias, channel 4 |
| 49 | All | Tx4 Bias LSB | |
| 50 | All | Tx1 Power MSB | Internally measured TX output power, channel 1 |
| 51 | All | Tx1 Power LSB | |
| 52 | All | Tx2 Power MSB | Internally measured TX output power, channel 2 |
| 53 | All | Tx2 Power LSB | |
| 54 | All | Tx3 Power MSB | Internally measured TX output power, channel 3 |
| 55 | All | Tx3 Power LSB | |
| 56 | All | Tx4 Power MSB | Internally measured TX output power, channel 4 |
| 57 | All | Tx4 Power LSB | |
| 58-65 | | | Reserved channel monitor set 4 |
| 66-73 | | | Reserved channel monitor set 5 |
| 74-81 | | | Reserved channel monitor set 6 |

Control Bytes

Control Bytes are defined in Table 8

Table 8 — Control Bytes

| Byte | Bit | Name | Description |
|------|-----|-----------------|---|
| 86 | 7-4 | Reserved | |
| | 3 | Tx4_Disable | Read/write bit that allows software disable of transmitters. ¹ |
| | 2 | Tx3_Disable | Read/write bit that allows software disable of transmitters. ¹ |
| | 1 | Tx2_Disable | Read/write bit that allows software disable of transmitters. ¹ |
| | 0 | Tx1_Disable | Read/write bit that allows software disable of transmitters. ¹ |
| 87 | 7 | Rx4_Rate_Select | Software Rate Select, Rx channel 4 msb |
| | 6 | Rx4_Rate_Select | Software Rate Select, Rx channel 4 lsb |
| | 5 | Rx3_Rate_Select | Software Rate Select, Rx channel 3 msb |

| | | | |
|-------|-----|------------------------|--|
| | 4 | Rx3_Rate_Select | Software Rate Select, Rx channel 3 lsb |
| | 3 | Rx2_Rate_Select | Software Rate Select, Rx channel 2 msb |
| | 2 | Rx2_Rate_Select | Software Rate Select, Rx channel 2 lsb |
| | 1 | Rx1_Rate_Select | Software Rate Select, Rx channel 1 msb |
| | 0 | Rx1_Rate_Select | Software Rate Select, Rx channel 1 lsb |
| 88 | 7 | Tx4_Rate_Select | Software Rate Select, Tx channel 4 msb (Not support) |
| | 6 | Tx4_Rate_Select | Software Rate Select, Tx channel 4 lsb (Not support) |
| | 5 | Tx3_Rate_Select | Software Rate Select, Tx channel 3 msb (Not support) |
| | 4 | Tx3_Rate_Select | Software Rate Select, Tx channel 3 lsb (Not support) |
| | 3 | Tx2_Rate_Select | Software Rate Select, Tx channel 2 msb (Not support) |
| | 2 | Tx2_Rate_Select | Software Rate Select, Tx channel 2 lsb (Not support) |
| | 1 | Tx1_Rate_Select | Software Rate Select, Tx channel 1 msb (Not support) |
| | 0 | Tx1_Rate_Select | Software Rate Select, Tx channel 1 lsb (Not support) |
| 89 | All | Rx4_Application_Select | Software Application Select per SFF-8079, Rx Channel 4 |
| 90 | All | Rx3_Application_Select | Software Application Select per SFF-8079, Rx Channel 3 |
| 91 | All | Rx2_Application_Select | Software Application Select per SFF-8079, Rx Channel 2 |
| 92 | All | Rx1_Application_Select | Software Application Select per SFF-8079, Rx Channel 1 |
| 93 | 2-7 | Reserved | |
| | 1 | Power_set | Power set to low power mode. Default 0. |
| | 0 | Power_over-ride | Override of LPMode signal setting the power mode with software. |
| 94 | All | Tx4_Application_Select | Software Application Select per SFF-8079, Tx Channel 4 (Not support) |
| 95 | All | Tx3_Application_Select | Software Application Select per SFF-8079, Tx Channel 3 (Not support) |
| 96 | All | Tx2_Application_Select | Software Application Select per SFF-8079, Tx Channel 2 (Not support) |
| 97 | All | Tx1_Application_Select | Software Application Select per SFF-8079, Tx Channel 1 (Not support) |
| 98-99 | All | Reserved | |

1. Writing "1" disables the laser of the channel.

LPMode

The LPMode pin shall be pulled up to Vcc in the QSFP+ module. This function is affected by the LPMode pin and the combination of the Power_over-ride and Power_set software control bits (Address A0h, byte 93 bits 0,1).

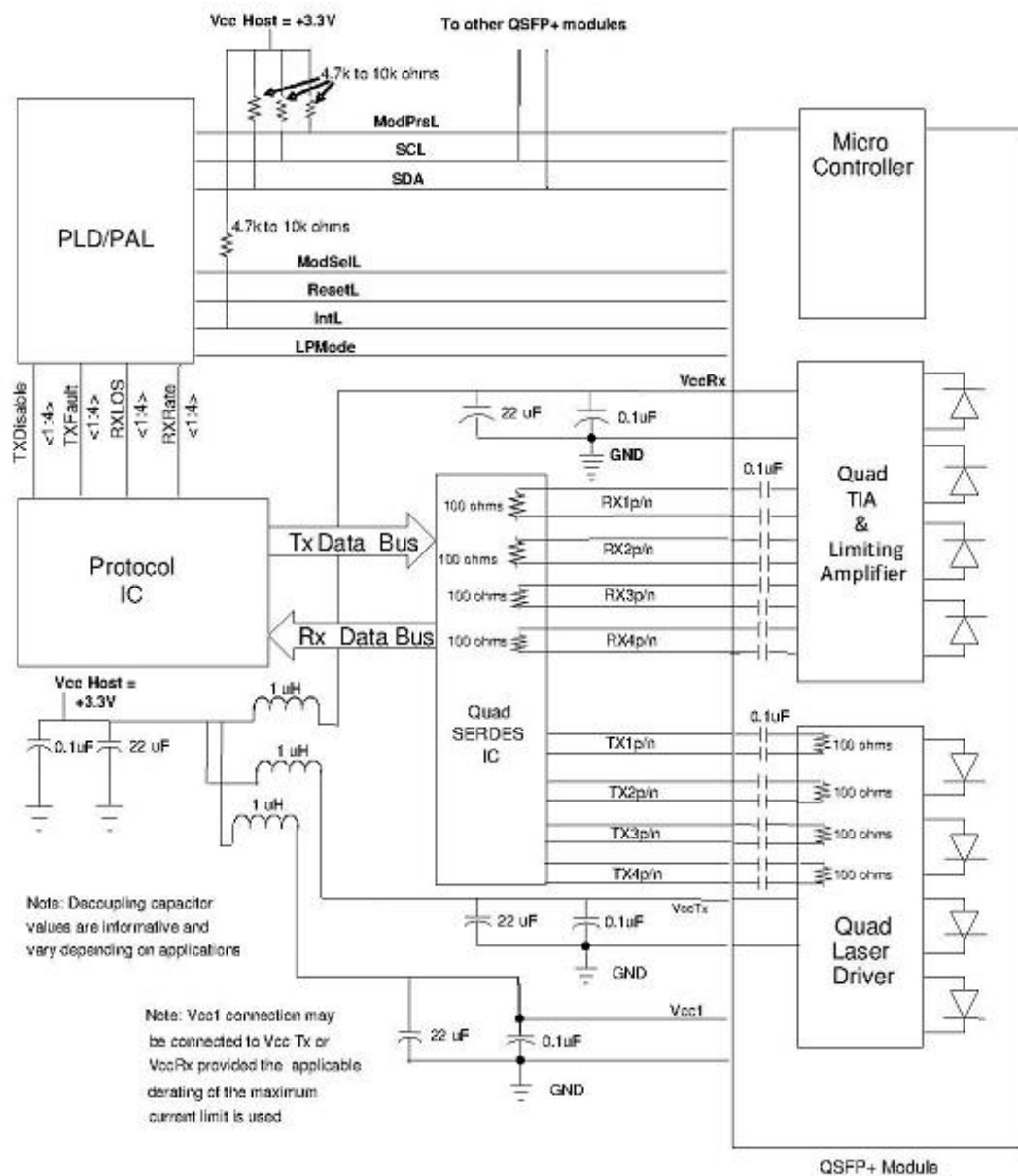
The module has two modes a low power mode and a high power mode. When the module is in a low power mode it has a maximum power consumption of 1.5W. This protects hosts that are not capable of cooling higher power modules, should such modules be accidentally inserted. A truth table for the relevant configurations of the LPMode and the Power_over-ride and Power_set are shown in Table 9.

At Power up, the Power_over-ride and Power_set bits shall be set to 0.

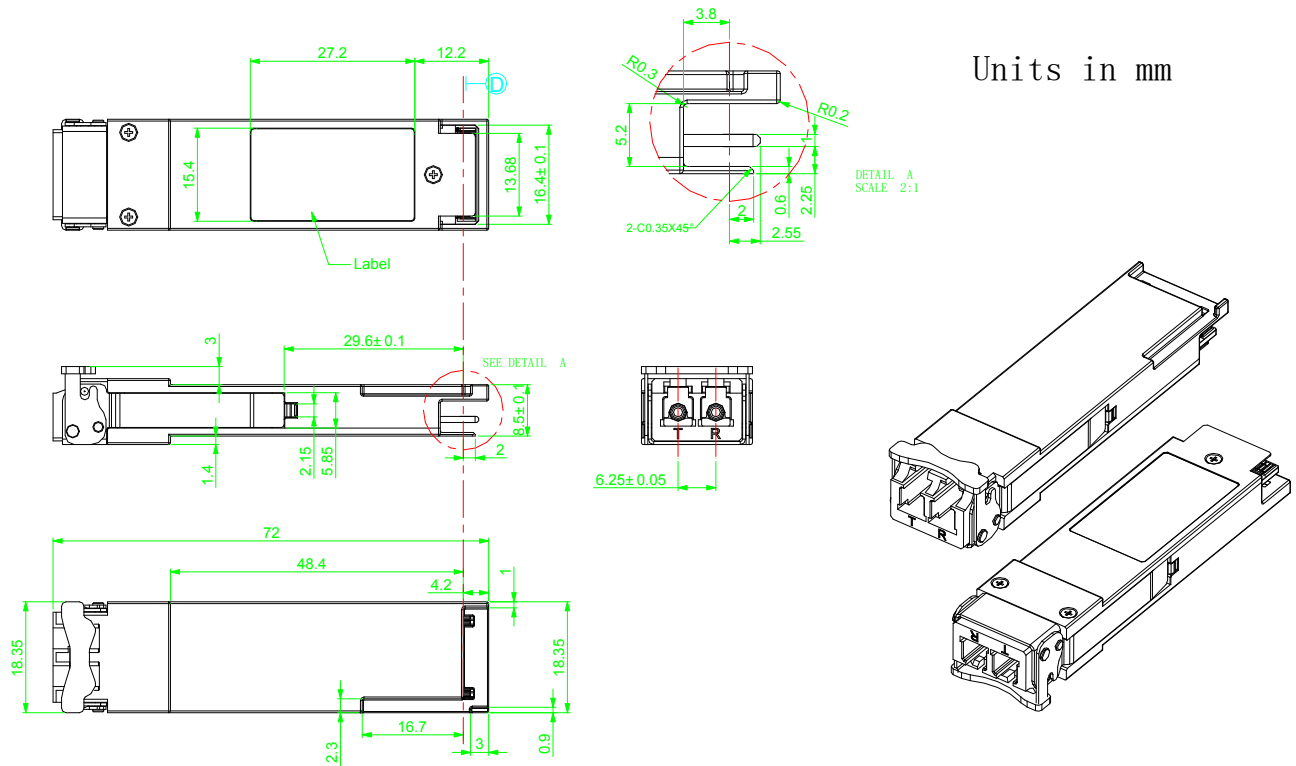
Table 9 —Power Mode Truth Table

| LPMode | Power_Over-ride Bit | Power_set Bit | Module Power Allowed |
|--------|---------------------|---------------|----------------------|
| 1 | 0 | X | Low Power |
| 0 | 0 | X | High Power |
| X | 1 | 1 | Low Power |
| X | 1 | 0 | High Power |

VII. Host - Transceiver Interface Block Diagram



VIII. Outline Dimensions



Appendix A. Document Revision

| Version No. | Date | Description |
|-------------|------------|--|
| 1.0 | 2012-08-30 | Preliminary datasheet |
| 2.0 | 2012-11-24 | Add power mode function |
| 3.0 | 2013-10-15 | Update Power Supply Current 800mA to 900mA |